

# JBC

[www.jbctools.com](http://www.jbctools.com)



## Solder Feed Iron

Ref. AP130-A

# Packing List

The following items should be included:

**Solder feed iron** ..... 1 u  
 Ref. AP130-A  
*Ø1 mm Feeder tube (90 mm length)  
 (Ref. 0006558) is included*

**Ø1 mm Feeder tube  
 (95 mm length)** ..... 1 u  
 Ref. 0006559

**Reel** ..... 1 unit  
 Ref. 0002801



**Manual** ..... 1 unit  
 Ref. 0008861



# Compatibility

The AP130-A solder feed iron is fully compatible with any JBC station of the Modular Line and with the CF Solder Feed station of the Compact Line.

Tool	Cartridge	Stand	Control Units			
			CF	DI	DDE	DME
AP130-A	C130	AP-SD	●	●	●	●

## Changing cartridge

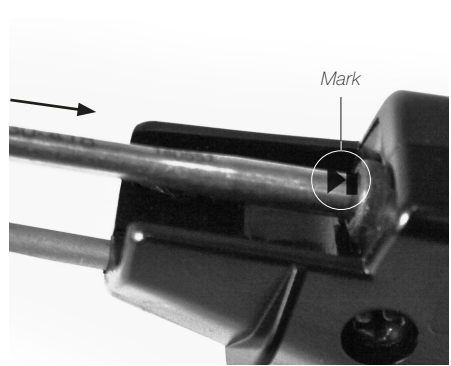
For a safe cartridge change, unplug the tool or turn the station off and wait until the tool temperature drops to room temperature before following these guidelines:

### 1. Removing



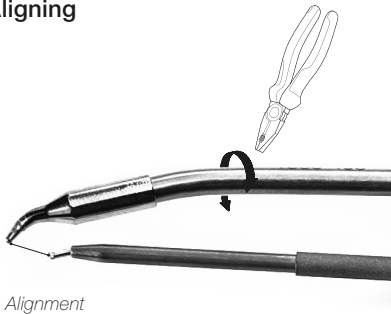
Loosen the screw and remove the cartridge.  
**⚠ Use a flat pliers if still hot.**

### 2. Inserting



**Important:** Insert the cartridge as far as the mark for a correct connection.

### 3. Aligning



Align the tip of the cartridge with the feeder tube. Use a PLR195 or a flat-nosed pliers for a safe tip alignment.

**⚠ Do not over-tighten the cartridge.**

### 4. Fixing

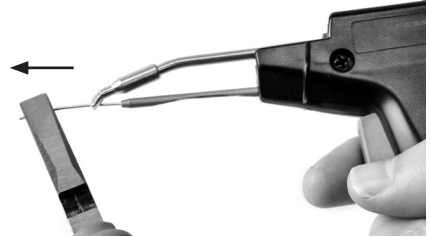


**Important:** Tighten the screw again. This is necessary for a proper connection.

# Replacing solder wire

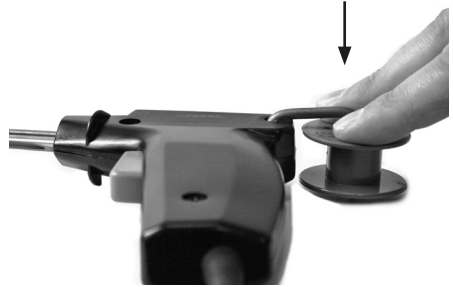
## 1. Remove the remaining solder wire

Pull out the remaining solder from inside the feeder tube. Use a flat-nosed pliers if necessary.



## 2. Replace the solder reel

Push the empty reel to remove and fit the new one.



## 3. Insert the new solder wire

Pull the trigger repeatedly until the solder wire appears at the tip.



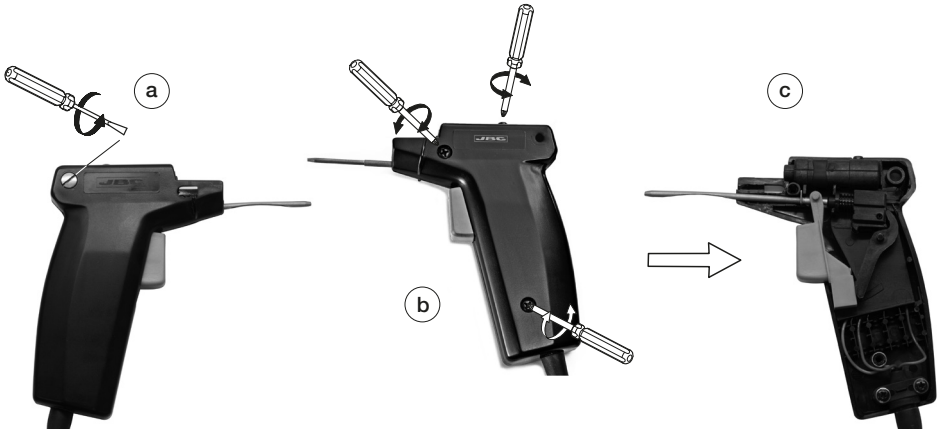
*Note: Always use 0.8 - 1.0 mm diameter solder wire.*

## Changing the Feeder Tube

You must replace the feeder tube depending on the length of the cartridge you are going to use.

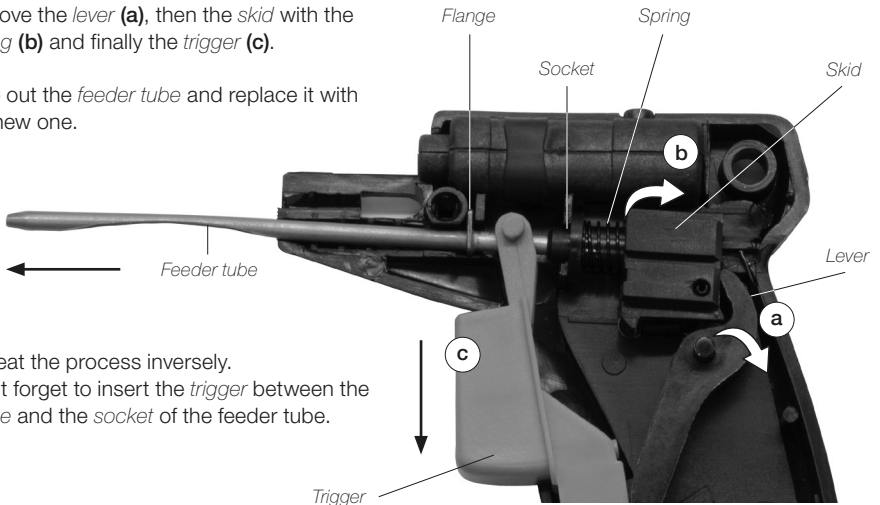
**⚠ Remove the cartridge and make sure the tool is unplugged before start.**

1. Take out the screw from behind (a) to remove the reel and the solder wire from the tube. Next, remove the three other screws (b) and lift the cover off (c).



2. Remove the lever (a), then the skid with the spring (b) and finally the trigger (c).

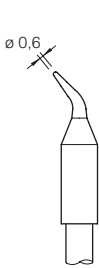
Take out the *feeder tube* and replace it with the new one.



Repeat the process inversely.  
Don't forget to insert the *trigger* between the *flange* and the *socket* of the feeder tube.

# Compatible Cartridges

The **AP130-A** Solder Feed Iron works with **C130** cartridge range. Find the model that best suits your soldering needs in [www.jbctools.com](http://www.jbctools.com)



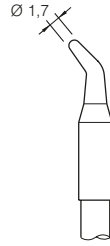
C130-401



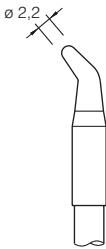
C130-402



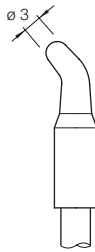
C130-403



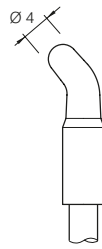
C130-409



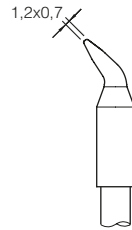
C130-410



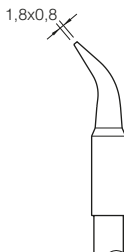
C130-416



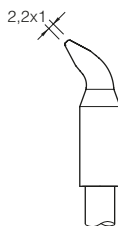
C130-417



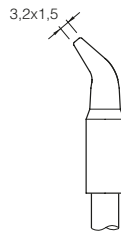
C130-404



C130-405



C130-406



C130-418



C130-419

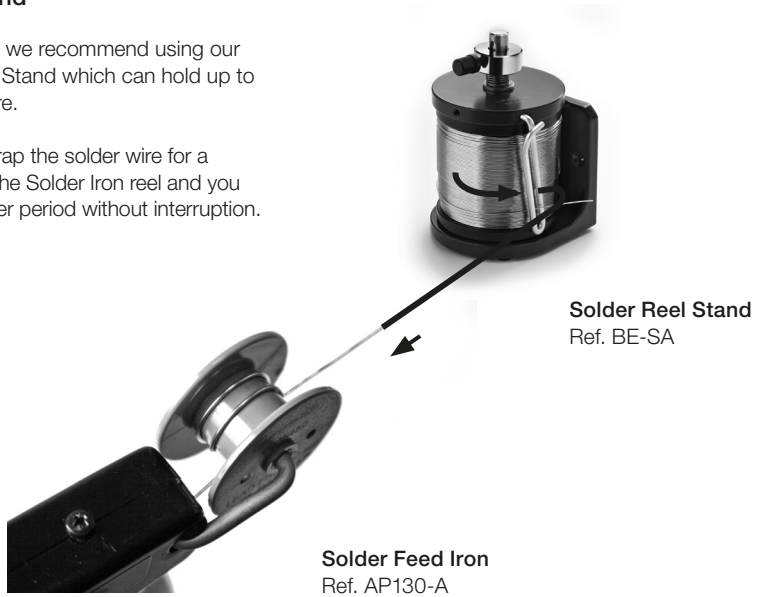
*Note: All the cartridges shown are actual size.*

## Accessories

### Solder Reel Stand

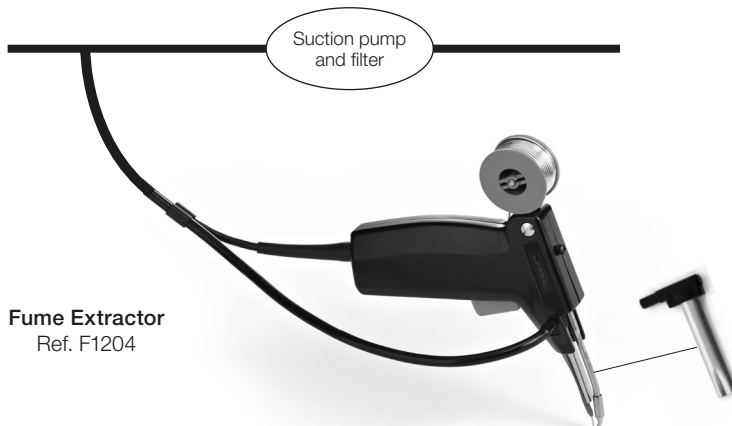
For line production, we recommend using our BE-SA Solder Reel Stand which can hold up to 2.5 Kg of solder wire.

It is necessary to wrap the solder wire for a couple of turns on the Solder Iron reel and you can work for a longer period without interruption.



### Fume Extractor

The fume extractor is an easy & safe solution to remove the fumes produced at the solder joint.



# Specifications

- Weight: 236,60 g (0.52 lb)
- Diameter of solder wire: 0,8 - 1 mm (0.03 - 0.04 in)

Complies with CE standards

# JBC

## Warranty

JBC's 2 year warranty covers this equipment against all manufacturing defects, including the replacement of defective parts and labour. Warranty does not cover product wear or misuse. In order for the warranty to be valid, equipment must be returned, postage paid, to the dealer where it was purchased.



This product should not be thrown in the garbage. In accordance with the European directive 2002/96/EC, electronic equipment at the end of their life must be collected and returned to an authorized recycling facility.



Manual in other languages available on our website

**[www.jbctools.com](http://www.jbctools.com)**